

The difference between photovoltaic power stations and power generation





Overview

What is solar photovoltaic power generation?

Solar photovoltaic power generation is an effective way to use solar energy. Solar energy is a kind of renewable energy with huge reserves. With the development of science and technology, the solar photovoltaic power generation industry has developed rapidly, and the cost of photovoltaic modules has gradually decreased.

What is a solar photovoltaic power station?

A solar photovoltaic power station is a single power station, designed by a single developer (or consortium), and usually has a single outlet connection to the grid. In some cases, it can be deployed on several nearby lands and/or built across multiple stages.

What is the difference between power generating station and power plant?

Here I am going to explain the difference between a power plant and a power generating station. A power plant or power generating station uses various sources like water energy, thermal energy, diesel, or nuclear energy to produce bulk electric power. First, let us know what is the function of a power plant.

How are photovoltaic power systems classified?

Photovoltaic power systems are generally classified according to their functional and operational requirements, their component configurations, and how the equipment is connected to other power sources and electrical loads. The two principal classifications are grid-connected or utility-interactive systems and stand-alone systems.



The difference between photovoltaic power stations and power gen



Solar Generators Vs. Solar Systems: Which Are Better?

Like generators, solar systems convert the sun's energy into usable electricity that's either used or stored in a battery bank. But unlike generators, solar systems are ...

[WhatsApp Chat](#)

Power Station vs. Solar Generator: What's the Difference?

Although both power stations and solar generators offer portable energy solutions, their main differences can be found in their functionality and energy sources.

[WhatsApp Chat](#)



The Difference Between the Photovoltaic Power Station and Photovoltaic

the solar energy is the largest renewable energy on earth. According to the solar radiation that reaches the earth different forms of energy conversion, the use of solar energy ...

[WhatsApp Chat](#)

What is the difference between Photovoltaic Power Generation ...

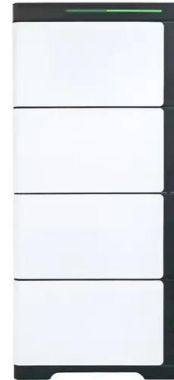
Photovoltaic power generation directly converts solar energy into electrical energy, which has high conversion efficiency and broad application prospects; solar power generation converts solar



...

[WhatsApp Chat](#)

CE UN38.3 MSDS



Solar Generators Vs. Solar Systems: Which Are Better?

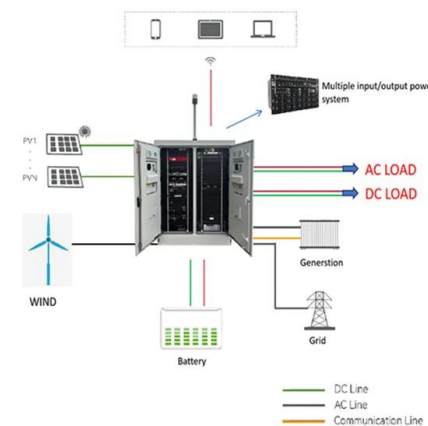
In this comprehensive guide, we'll explore the world of portable power stations vs solar generators, helping you make an informed decision ...

[WhatsApp Chat](#)

Solar power

Solar power, also known as solar electricity, is the conversion of energy from sunlight into electricity, either directly using photovoltaics (PV) or indirectly ...

[WhatsApp Chat](#)



Solar Generator vs Power Station: A Comprehensive ...

Understanding the differences between solar generators and power stations is essential for making informed decisions that align with ...

[WhatsApp Chat](#)





What is the difference between a solar generator and ...

Learn the key differences between solar generators and solar power stations. Explore how each works, their components, use cases, and ...

[WhatsApp Chat](#)



9 Points You Need To Know About Distributed Photovoltaic Power Generation

Photovoltaic distributed generation is a new and promising way of comprehensive utilization of power generation and energy. It can not only effectively improve the power ...

[WhatsApp Chat](#)

Solar Power Plants: Types, Components and Working ...

The layout of a photovoltaic power plant depends on several factors, such as site conditions, system size, design objectives, and grid ...

[WhatsApp Chat](#)



Solar Generator vs Power Station: A Comprehensive Comparison ...

Understanding the differences between solar generators and power stations is essential for making informed decisions that align with individual energy requirements.

[WhatsApp Chat](#)



Empowering Adventures: How to Choose Between Portable Power Station ...

In this comprehensive guide, we'll explore the world of portable power stations vs solar generators, helping you make an informed decision that aligns perfectly with your needs ...

[WhatsApp Chat](#)



What is the Difference Between Solar Power Plants ...

Conclusion Solar power plants and distributed photovoltaic generation, as two main forms of solar power generation, each have unique ...

[WhatsApp Chat](#)



The difference between solar power stations and photovoltaic power

Currently, the solar industry offers two types of technologies for solar power: Photovoltaic (PV) and Concentrated Solar Power (CSP). Here, we will be comparing Photovoltaic and ...

[WhatsApp Chat](#)



How Does Solar Work?

Below, you can find resources and information on the basics of solar radiation, photovoltaic and concentrating solar-thermal power technologies, electrical ...

[WhatsApp Chat](#)

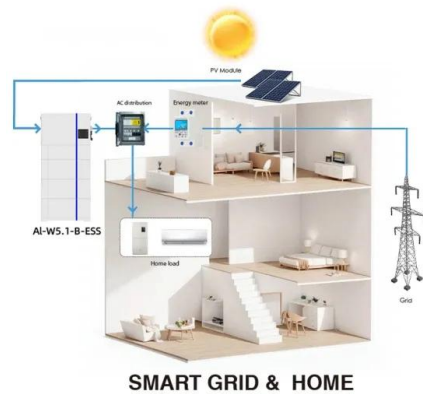




Power Plant vs. Power Station: What's the Difference?

Power plants are often distinguished by their energy source, such as nuclear power plants or solar power plants. Similarly, power stations can ...

[WhatsApp Chat](#)



Portable Power Stations vs Solar Generators: A ...

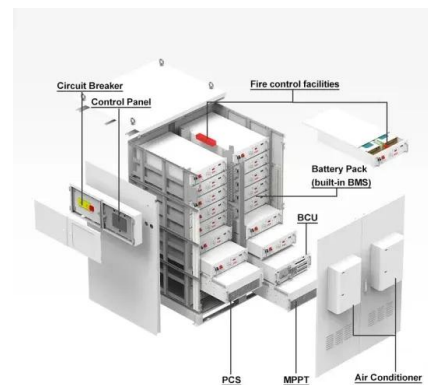
The definitive guide on portable power station vs solar generators. Learn the basics and the intricate details to make an informed choice.

[WhatsApp Chat](#)

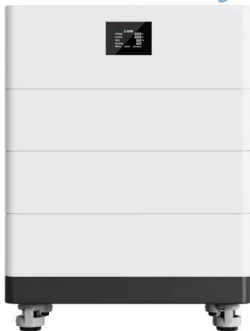
Solar Thermal Vs Photovoltaic - An Overview

Solar Thermal Vs Photovoltaic - Which has More Capacity? The capacity of the largest photovoltaic power stations goes beyond 500 ...

[WhatsApp Chat](#)



High Voltage Solar Battery



Power Station vs. Solar Generator: What's the ...

When it comes to outdoor and household uses, picking the correct source of energy is critical in today's world. For emergencies or camping trips, ...

[WhatsApp Chat](#)



What Is the Difference Between a Power Plant and a Power Station

There is no significant technical difference between a power plant and a power station; both terms describe facilities that generate electrical energy. However, "power plant" is ...

[WhatsApp Chat](#)



The Difference Between The Four Major Photovoltaic ...

The Difference Between The Four Major Photovoltaic Power Generation Systems Dec 03, 2024 Leave a message Based on existing ...

[WhatsApp Chat](#)

What is Utility-Scale Solar? Large-Scale Solar

Key takeaways Utility-scale solar is the use of large solar power plants to produce electricity at a mass scale. There are two main types of utility-scale solar: solar ...

[WhatsApp Chat](#)



Power Station vs. Solar Generator: What's the ...

Although both power stations and solar generators offer portable energy solutions, their main differences can be found in their functionality and ...

[WhatsApp Chat](#)



Portable Power Station Vs Solar Generator: Which Is Best for You?

While a portable power station is primarily a battery storage device that needs to be charged from an external source (like a wall outlet), a solar generator includes the means ...

[WhatsApp Chat](#)



What is the difference between solar power generation and ...

The main components are collectors or devices; Photovoltaic power generation utilizes the photovoltaic effect of semiconductors to directly convert light energy into electrical energy, and ...

[WhatsApp Chat](#)



What is the difference between distributed PV and centralized PV?

The difference between distributed PV and centralized PV is in their scale, installation location, and cost. Centralized PV system installed on the top of a mountain. ...

[WhatsApp Chat](#)



Portable Power Station Vs Solar Generator: Which Is ...

While a portable power station is primarily a battery storage device that needs to be charged from an external source (like a wall outlet), a ...

[WhatsApp Chat](#)





What is the difference between solar power generation and photovoltaic

The main components are collectors or devices; Photovoltaic power generation utilizes the photovoltaic effect of semiconductors to directly convert light energy into electrical energy, and ...

[WhatsApp Chat](#)



Contact Us

For catalog requests, pricing, or partnerships, please visit:
<https://fenix-info.pl>